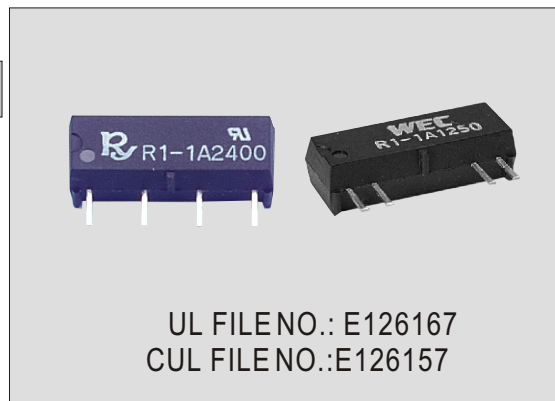


R1 SERIES

FEATURES

- Miniature reed relay, cost-effective, switching solution
- Pin out 1357 & 1267
- Diode version are available for customer selection
- Washable type
- Using at security system, modem and other telecommunication products



ORDERING INFORMATION

R1 — D 1A 05 00
1 2 3 4 5

1. Type
2. Diode
 Nil : Standard Type
 D : With Diode
3. Contact Arrangement
 1A : 1 Form A
4. Coil Nominal Voltage
5. Terminals Type
 00: Pin Out 1357
 50: Pin Out 1267

CONTACT RATING

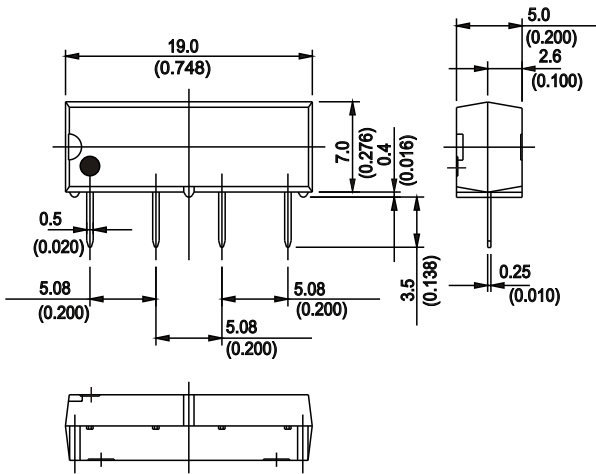
Resistive (Cos. = 1)	Switch Current	0.5A
	Carry Current	1.0A

COIL DATA

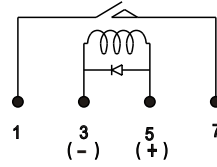
Coil Nominal Voltage (VDC)	Maximum Operate Voltage(V)	Resistance Tol.±10% (Ohms)	Maximum Pick Up Voltage(V)	Minimum Drop Out Voltage (V)	Nominal Input Power (mW)
5	16	500	3.75	0.8	50
12	20	1,000	9.0	1.0	144
24	32	2,150	18.0	2.0	268

DIMENSIONS:mm(inch)

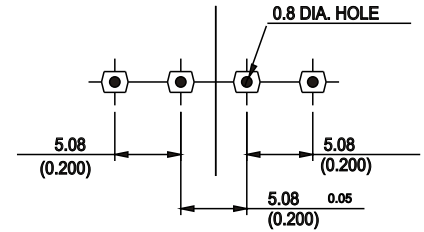
PIN OUT 1357



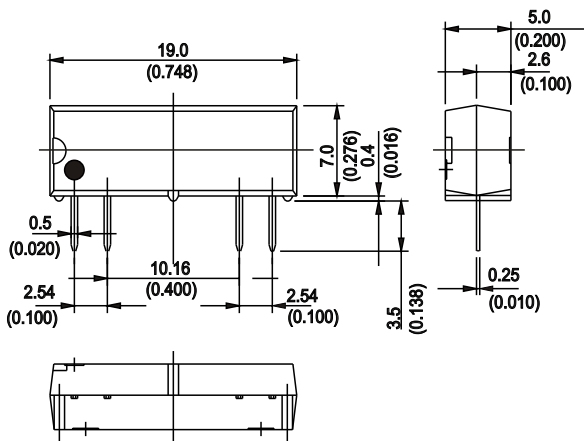
WIRING DIAGRAM
(BOTTOM VIEW)



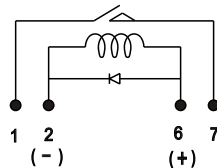
P.C.B LAYOUT
(BOTTOM VIEW)



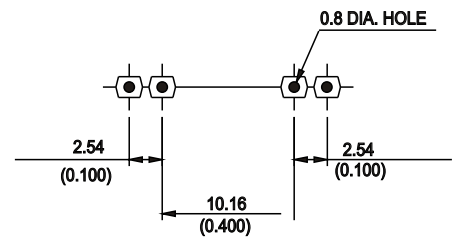
PIN OUT 1267



WIRING DIAGRAM
(BOTTOM VIEW)



P.C.B LAYOUT
(BOTTOM VIEW)



GENERAL DATA

Insulation Resistance	1,000 M Min. (DC 100V)
Dielectric Strength	250 VDC between contact.
	1,400 VDC between all elements.
Contact Material	Silver- Cadmium Oxide as standard.
Contact Resistance	150 milliohms max. (initial value)
Switching Current	1A, 2A, 1B : 0.5ADC Max., 1C : 0.2ADC Max.
Carry Current	1A, 2A, 1B : 1.0ADC Max., 1C : 0.5ADC Max.
Switching Power	1A, 2A, 1B : 10VAMax. 1C : 3VA Max.
Operation Time	1 ms max.
Release Time	0.5 ms max.
Temperature Range	- 40°C ~ + 85°C
Expected Life	With operation rate 30/min. Mechanical - 10,000,000 operations min. Electrical - 100,000 operations min. at rated load.
Weight	1.4 grams