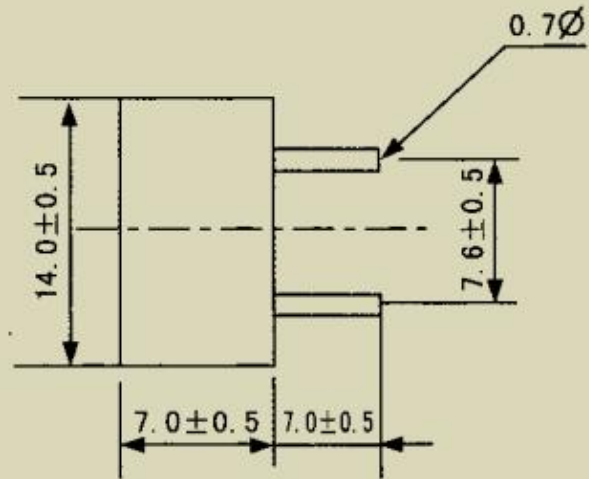
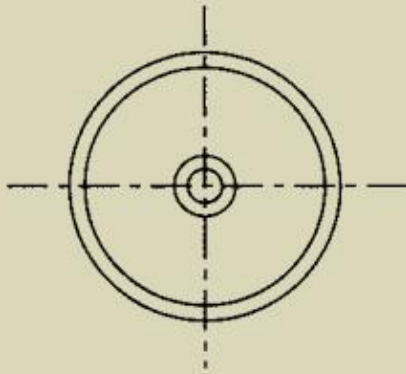




SFN-14



Type	SFN-14
Resonant Freqeucny(±500Hz)	4000
Voltage Range(Vp-p max)	30
Current Consumption(mA maximum)	80 at 12Vp-p/10cm
Current Consumption(mA maximum)	1.5 at 12Vp-p/0.4KHZ
Capactiance(30%pf)	15000
Operating Temperature(°C)	-20~+45
Storage Temperature(°C)	-20~+60
Weight(g)	1.0