

# SPECIFICATION FOR APPROVAL

CUSTOMER: \_\_\_\_\_

PART NO: \_\_\_\_\_

DESCRIPTION: SNI0403-331K-NP  
\_\_\_\_\_

SUBMIT NO: \_\_\_\_\_

QUANTITY: \_\_\_\_\_

PCS

DATE: 2018-12-18  
\_\_\_\_\_

優博貿易有限公司 ULTRA BEST INDUSTRY LTD..		
MADE	CHECKED	APPROVED
吴婵	Tom	Ben

貴公司承認欄		
MADE	CHECKED	APPROVED

## 優博貿易有限公司

Ultra Best Industry Ltd.,

**Add.:**新竹縣竹東鎮東寧路二段 96 號

**TEL:** 886-3-5944145

**FAX:** 886-3-5956188





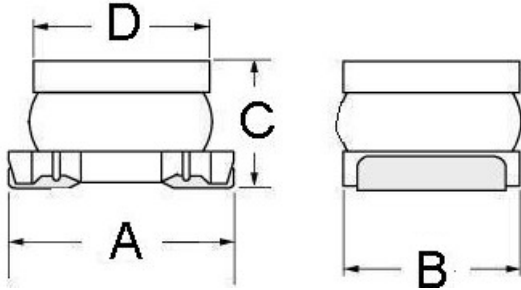
CUSTOMER :

		<b>PART NO.</b>	
<b>S P E C I F I C A T I O N S</b>		<b>DATE</b>	2018-12-18
<b>PART NAME</b>	DATA SHEET	<b>SPEC(TYPE)</b>	SNI0403-331K-NP



**TEST INSTRUMENT**

- 1. HP 4285A PRECISION LCR METER
- 2. WAYNE PMA3260A LCR METER
- 3. ZENTECH 9052 PROGRAMMABLE AUTO SAFETY TESTER
- 4. WAYNE KERR 3265A CURRENT SOURCE



<b>A</b>	<b>4.5±0.3</b>
<b>B</b>	<b>3.2±0.3</b>
<b>C</b>	<b>2.6±0.4</b>
<b>D</b>	<b>3.6±0.4</b>

ELECTRICAL CHARACTERISTICS				DIMENSION			
MEAS. ITEM	L (μH)	RDC(Ω)	IDC (A)	A	B	C	D
TEST FREQ.	1KHz/0.25V	MAX	Drop 30% TYP	m/m	m/m	m/m	m/m
YOUR							
SPEC. SUGGEST	<b>330±10%</b>	<b>6.8</b>	0.1	<b>4.5±0.3</b>	<b>3.2±0.3</b>	<b>2.6±0.4</b>	<b>3.6±0.4</b>
1	331.0	5.58	OK	4.47	3.18	2.71	3.65
2	340.0	5.36	OK	4.46	3.21	2.70	3.66
3	335.0	5.42	OK	4.45	3.18	2.70	3.70
4	336.0	5.68	OK	4.48	3.12	2.69	3.71
5	338.0	5.70	OK	4.47	3.21	2.71	3.58
$\bar{X}$	336.000	5.548	OK	4.466	3.180	2.702	3.660
R	9.000	0.340	OK	0.030	0.090	0.020	0.130
TEST CONDITION	TEMP.: 25°C			HUMIDITY: 50%			
APPROVED BY			CHECKED BY			DRAWN BY	
						杰 刚 吴 婵	

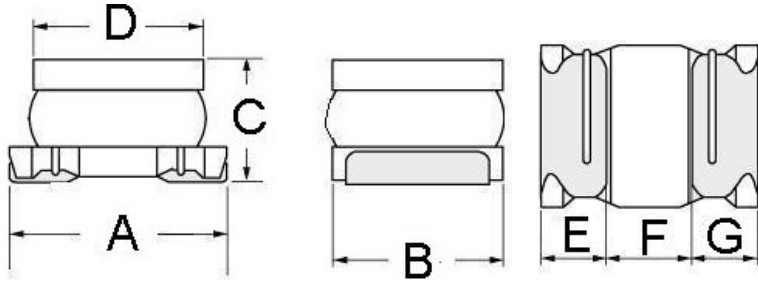
CUSTOMER :

<b>PART NO.</b>	
<b>DATE</b>	2018-12-18
<b>SPEC(TYPE)</b>	SNI0403-331K-NP
<b>UNIT</b>	m/m

## S P E C I F I C A T I O N S

<b>PART NAME</b>	<b>DIMENSION</b>
------------------	------------------

### ■ SHAPE&DIMENSION



<b>A</b>	<b>4.5±0.3</b>
<b>B</b>	<b>3.2±0.3</b>
<b>C</b>	<b>2.6±0.4</b>
<b>D</b>	<b>3.6±0.4</b>
<b>E</b>	<b>1.5REF</b>
<b>F</b>	<b>1.5REF</b>
<b>G</b>	<b>1.5REF</b>

### ■ SCHEMATIC

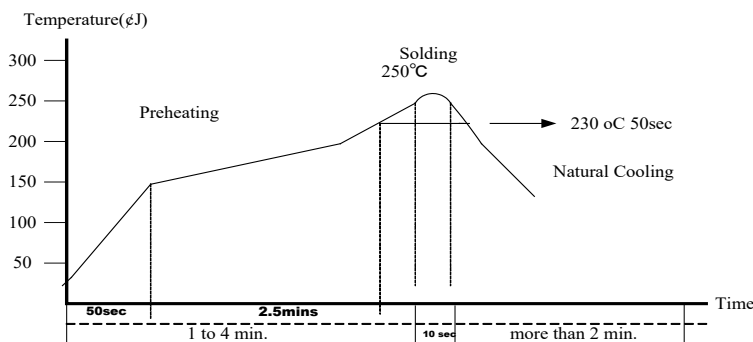
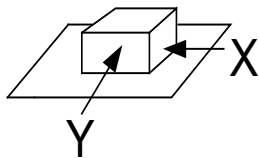


CUSTOMER : 优博

<b>PART NO.</b>	
<b>DATE</b>	2018-12-18
<b>SPEC(TYPE)</b>	SNI0403-331K-NP

## S P E C I F I C A T I O N S

<b>Operating Temperature</b>	-20°C to +85°C(Contain Heating coil)
<b>Appearance Inspection</b>	No external defects by visual inspection
<b>Terminal Strength</b>	After soldering, between copper plate and terminals of coil, Push in two directions of X, Y with standing as below conditions. Terminal should not peeled off. (Refer to figure at right) 5.0 N 10sec. SNI0403
<b>Heat endurance of reflow soldering</b>	Refer to below figure
<b>Insulating resistance</b>	Over 100MΩat 100V D.C. between wire and core.
<b>Dielectric strength</b>	No dielectric breakdown at 100V D.C. for 1 minute Between wire and core.
<b>Temperature characteristic</b>	Inductance coefficient(0~2,000)×10 <sup>-6</sup> /°C (-40°C~+80°C)
<b>Humidity characteristic</b>	Inductance deviation with ±5.0%, after 96 hours in 90~95% relative humidity at 40±2°C and 1hour drying under normal condition.
<b>Vibration resistance</b>	Inductance deviation with ±5.0% after vibration for 1 hour. In each of three orientations at sweep vibration (10~55~10Hz) with 1.5mm p-p amplitude.



A test is made under the above mentioned condition, and it is kept for 2 hours in the normal temperature and humidity. After that, no mechanical and electrical defect should be found.

CUSTOMER :

		<b>PART NO.</b>	
<b>SPECIFICATIONS</b>		<b>DATE</b>	2018-12-18
<b>PART NAME</b>	<b>MATERIAL LIST</b>	<b>SPEC(TYPE)</b>	SNI0403-331K-NP

■ MATERIAL LIST

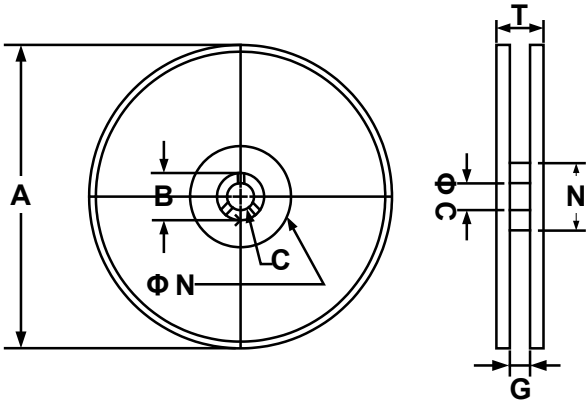
ITEM	MATERIAL	SUPPLIER OF MATERIAL	UL NO.
CORE	FERRITE	MAI TE CO.,LTD. OR EQUIA	
WIRE	G1P180	ELEKTRISOLA Co., Ltd. OR EQUAL	
SOLDER	107H(Sn99.3Cu0.7)	QIAN DAO CO., LTD. OR EQUIA	



CUSTOMER :

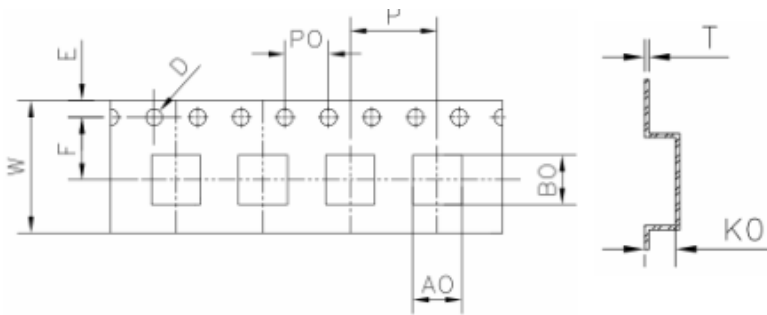
<b>SPECIFICATIONS</b>		<b>PART NO.</b>	
		<b>DATE</b>	2018-12-18
<b>PART NAME</b>	CARRIER & REEL	<b>SPEC(TYPE)</b>	SNI0403-331K-NP
		<b>UNIT</b>	m/m

**REEL DIMENSION**



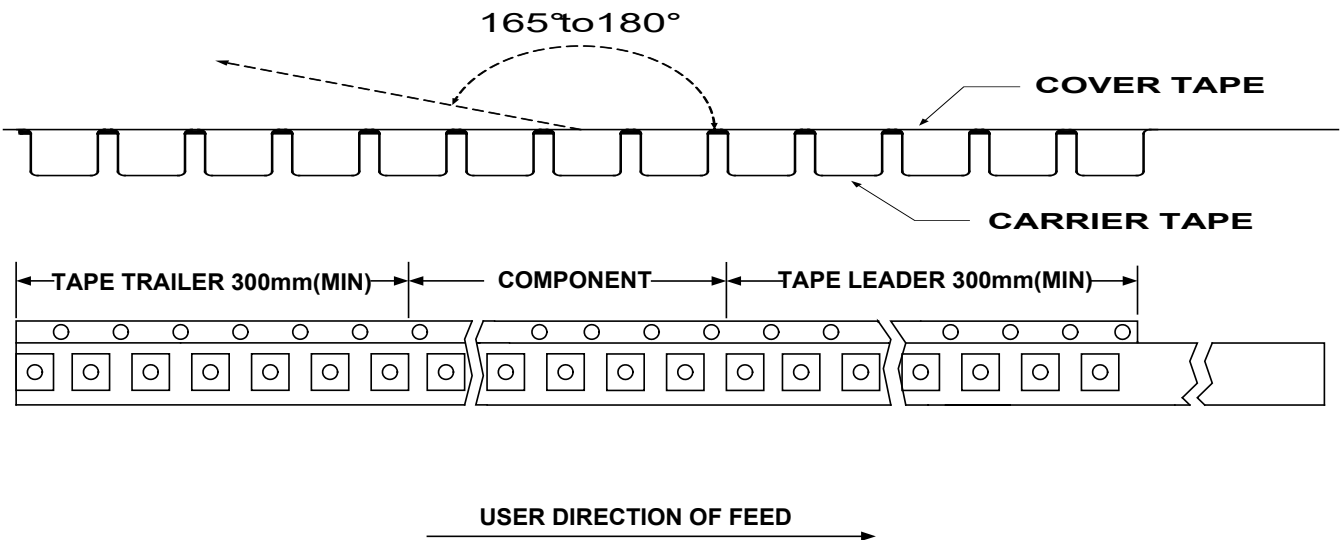
<b>A</b>	<b>180±0.3</b>
<b>B</b>	<b>21.0±0.8</b>
<b>C</b>	<b>13.0±0.2</b>
<b>G</b>	<b>13.0<sup>+1.5</sup><sub>-0</sub></b>
<b>N</b>	<b>60</b>
<b>T</b>	<b>17.0±1.4</b>
<b>TYPE</b>	<b>17</b>
<b>MATERIAL</b>	<b>PLASTIC</b>

**CARRIER DIMENSION**



<b>Ao</b>	<b>3.6</b>
<b>Bo</b>	<b>4.9</b>
<b>Ko</b>	<b>2.7±0.2</b>
<b>W</b>	<b>12</b>
<b>P</b>	<b>8</b>
<b>T</b>	<b>0.3</b>

**THE FORCE FOR TEARING OFF COVER TAPE IS 10 TO 60 GRAMS IN THE ARROW DIRECTION**





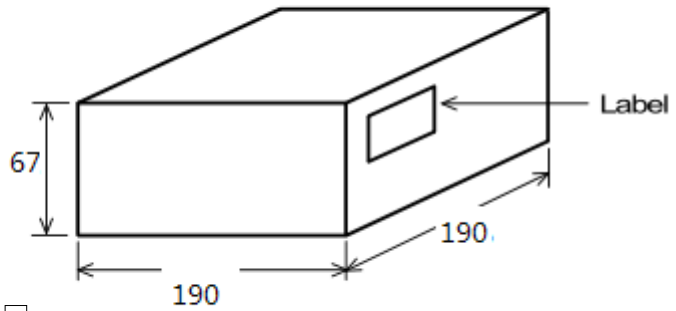
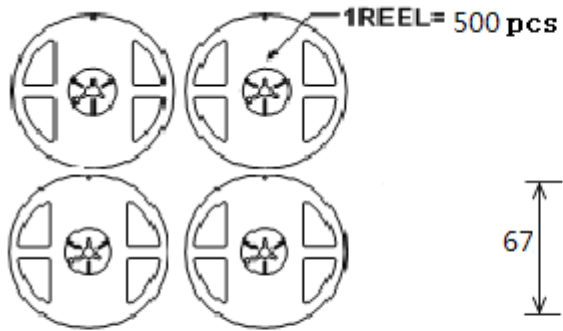
CUSTOMER :

<b>PART NO.</b>	
<b>DATE</b>	2018-12-18
<b>SPEC(TYPE)</b>	SNI0403-331K-NP
<b>UNIT</b>	m/m

# SPECIFICATIONS

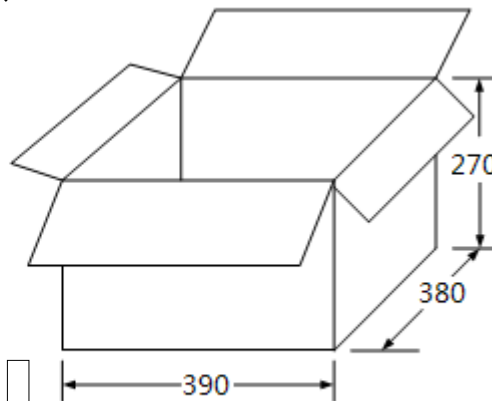
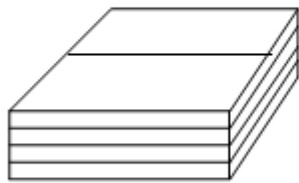
**PART NAME**

**PACKING**



**INNER BOX x 4 (2000 pcs)**

**OUT BOX 2000 pcs**



**INNER BOX x 8 (16000 pcs)**

**OUT BOX (16000 pcs)**

