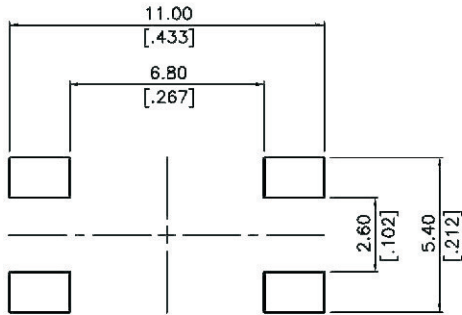


TACT Surface Mount Switches 6.2 x 6.2 mm



Specification:

Contact	: SPST-NO, momentary
Contact rating	: 12V/ 50mA
Operating force	: 160 gf



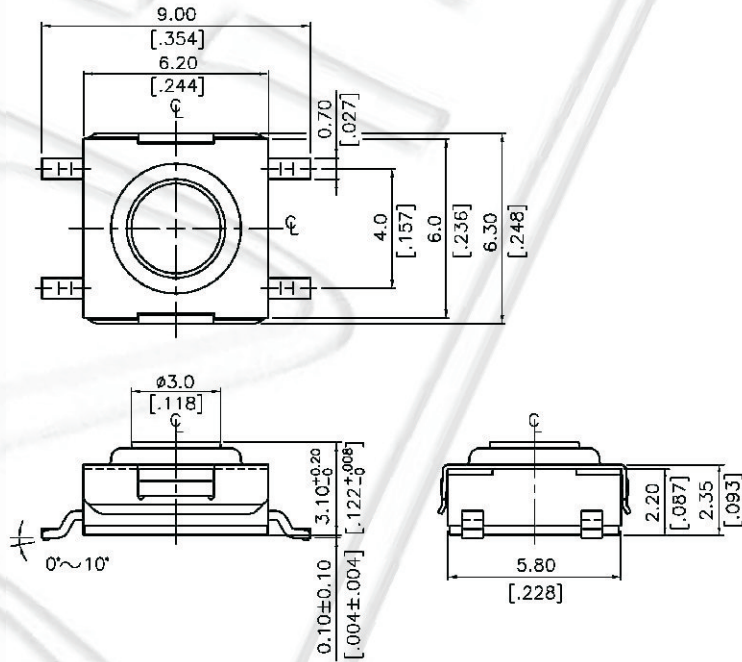
(SCALE 8:1)

P.C.B. LAYOUT



CIRCUIT DIAGRAM

Symbol	Height [mm]
TACTM-63N	3.1
TACTM-652N	5.2

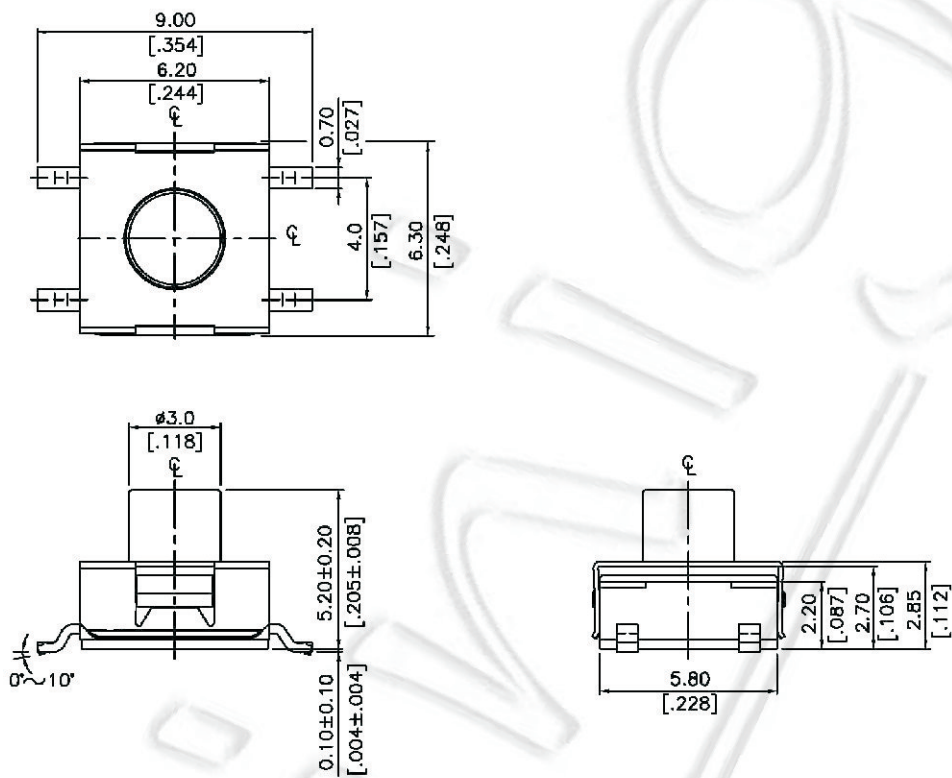


TACTM-63N

Ninigi

D A T A S H E E T

TACT Surface Mount Switches 6.2 x 6.2 mm



TACTM-652N