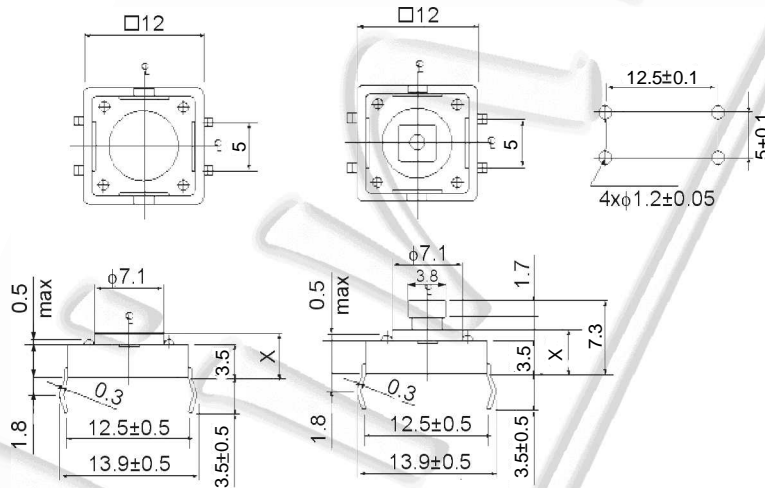
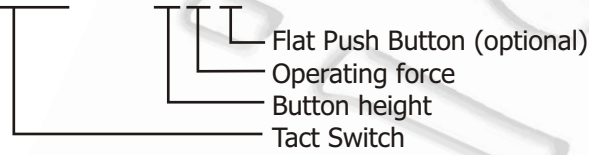


### Specification:

- 1) Rating: 12 VDC, 50 mA
- 2) Travel:  $0.25 \pm 0.1$  mm
- 3) Contact resistance: 100 mW max.

### TACTS-24NF



### OPERATING FORCE

K	70 gf
V	100 gf
N	160 gf
R	260 gf
S	320 gf
M	520 gf

### BUTTON HEIGHT

4	X=4.3 mm
5	X=5 mm
7	X=7 mm
9	X=9.5 mm
13	X=13 mm

### CIRCUIT DIAGRAM

