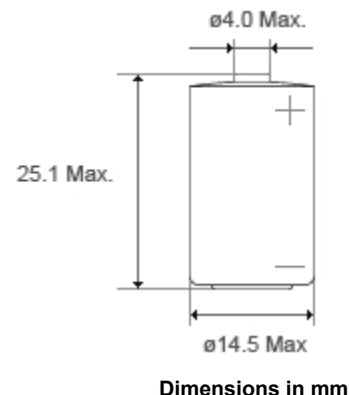


## SPECIFICATIONS (Typical values stored at 20°C for one year)

▪ <b>Nominal capacity</b> (at 1mA/20°C/68°F/2.0V cut-off)	<b>1.2Ah</b>
▪ <b>Nominal voltage</b>	<b>3.6V</b>
▪ <b>Max. recommended continuous current</b> (Higher current can be available upon consulting)	<b>30mA</b>
▪ <b>Max. pulse current capability★</b>	<b>100mA</b>
▪ <b>Operating temperature range</b>	<b>-55 ~+85°C</b>
▪ <b>Lithium metal content</b>	<b>approx. 0.3g</b>
▪ <b>Weight</b>	<b>9g</b>
▪ <b>Volume</b>	<b>4.3cm<sup>3</sup></b>
▪ <b>UL Approval</b>	<b>MH28122</b>

### Max Pulse Capability

Maximum Pulse capability reading over 3.0V at 100mA/0.1sec. every 2 min. at +20°C, 10μA / cm<sup>2</sup> base current with fresh batteries. The pulse capability can be different to the cell status, environment. For max. pulse coverage, capacitor support is recommended.



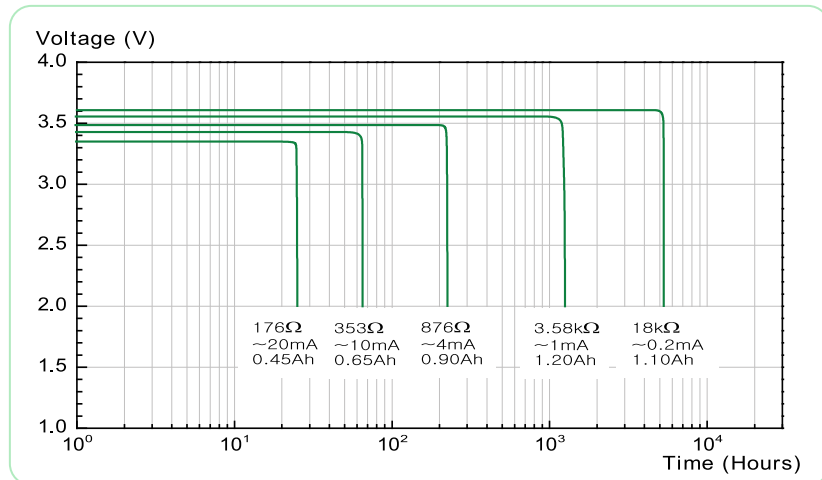
### Available Terminal Type

STD, T1, T2, T3, T3/R, T3EU, T3EU/R, AX, Wire, Connector, Case 1, Case2

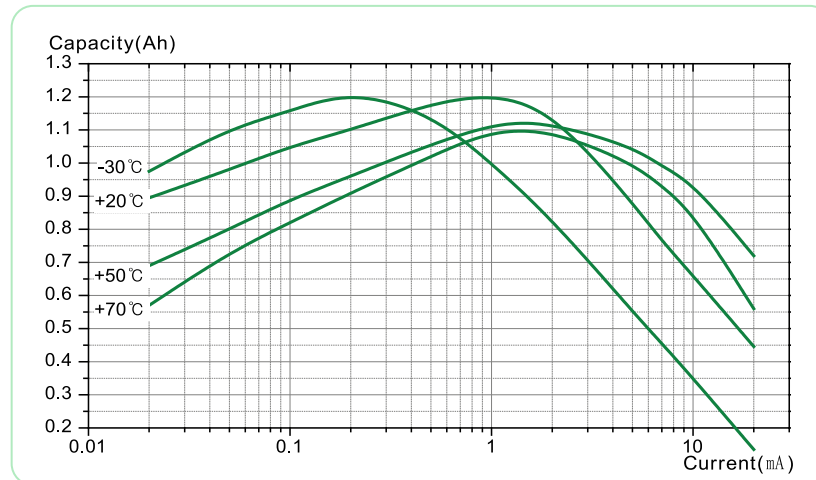
### Storage Condition

Please store batteries at clean, cool (not over +30°C), dried (less than 30% RH) and ventilated condition

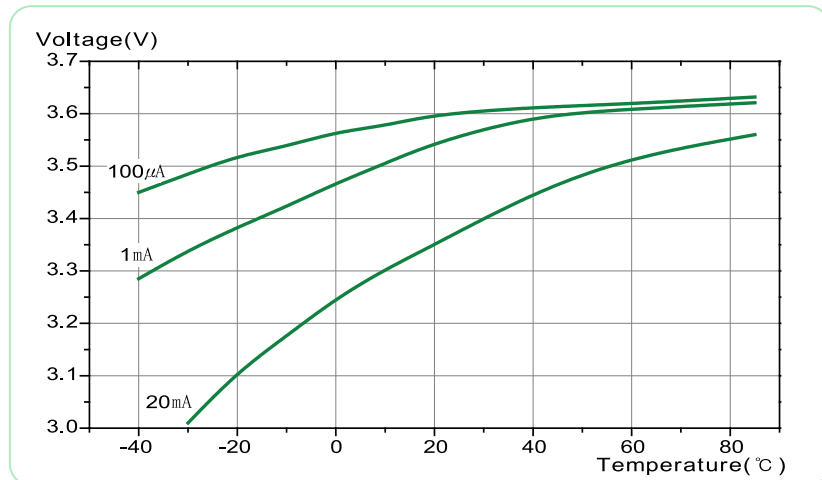
## Discharge Characteristics at +20°C



## Capacity versus Current



## Operating Voltage



## Voltage Recovery after Long Storage

