

Cree® XLamp® MX-3 LEDs



PRODUCT DESCRIPTION

The Cree XLamp MX-3 LED provides the proven lighting-class performance and reliability of Cree XLamp LEDs in a flat-top PLCC package. The XLamp MX-3 LED continues Cree’s history of innovation in LEDs for lighting applications with a wide viewing angle, unlimited floor life, uniform light output without secondary optics and electrically neutral thermal path.

The XLamp MX-3 LED brings high performance and quality of light to a wide range of lighting applications, including linear lighting, LED light bulbs, fluorescent retrofits and retail-display lighting.

FEATURES

- Available in white (2600 K to 8300 K CCT)
- Maximum drive current: 500 mA
- Wide viewing angle: 120°
- Electrically neutral thermal path
- Qualification at maximum drive current
- RoHS- and REACh-compliant
- UL-recognized component (E349212)



TABLE OF CONTENTS

| | |
|--|----|
| Characteristics | 2 |
| Flux Characteristics..... | 2 |
| Relative Spectral Power Distribution..... | 3 |
| Relative Flux vs. Junction Temperature | 3 |
| Electrical Characteristics..... | 4 |
| Relative Flux vs. Current | 4 |
| Typical Spatial Distribution..... | 5 |
| Thermal Design..... | 5 |
| Reflow Soldering Characteristics .. | 6 |
| Notes..... | 7 |
| Mechanical Dimensions..... | 9 |
| Tape and Reel | 10 |
| Packaging..... | 11 |

CHARACTERISTICS

| Characteristics | Unit | Minimum | Typical | Maximum |
|--|---------|---------|---------|---------|
| Thermal resistance, junction to solder point | °C/W | | 11 | |
| Viewing angle (FWHM) | degrees | | 120 | |
| Temperature coefficient of voltage | mV/ °C | | -2.7 | |
| ESD classification (HBM per Mil-Std-883D) | | | Class 2 | |
| DC forward current | mA | | | 500 |
| Reverse voltage | V | | | -5 |
| Reverse current | mA | | | -0.1 |
| Forward voltage (@ 350 mA) | V | | 3.7 | 4.0 |
| LED junction temperature | °C | | | 150 |

FLUX CHARACTERISTICS (T_j = 25 °C)

The following table provides several base order codes for XLamp MX-3 LEDs. It is important to note that the base order codes listed here are a subset of the total available order codes for the product family. For more order codes, as well as a complete description of the order-code nomenclature, please consult the XLamp MX-3 LED Binning and Labeling document.

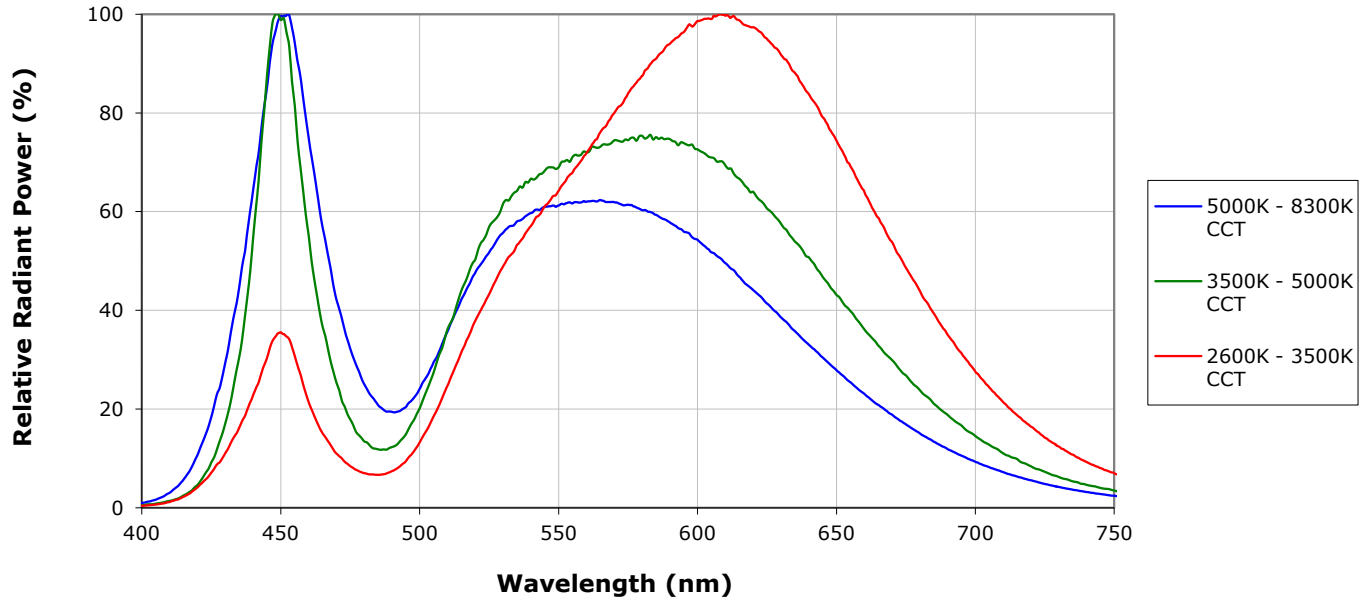
| Color | CCT Range | | Base Order Codes Min. Luminous Flux (lm) @ 350 mA | | Calculated Min. Luminous Flux (lm) @ 300 mA* | Order Code |
|------------|-----------|--------|---|-----------|---|-----------------------|
| | Min. | Max. | Group | Flux (lm) | Flux (lm) | |
| Cool White | 5000 K | 8300 K | R2 | 114 | 100 | MX3AWT-A1-0000-000E51 |
| | | | Q5 | 107 | 93.9 | MX3AWT-A1-0000-000D51 |
| Warm White | 3700 K | 4300 K | Q4 | 100 | 87 | MX3AWT-A1-0000-000CE5 |
| | 2600 K | 3700 K | Q3 | 93.9 | 82 | MX3AWT-A1-0000-000BE7 |

* Calculated values for reference purposes only.

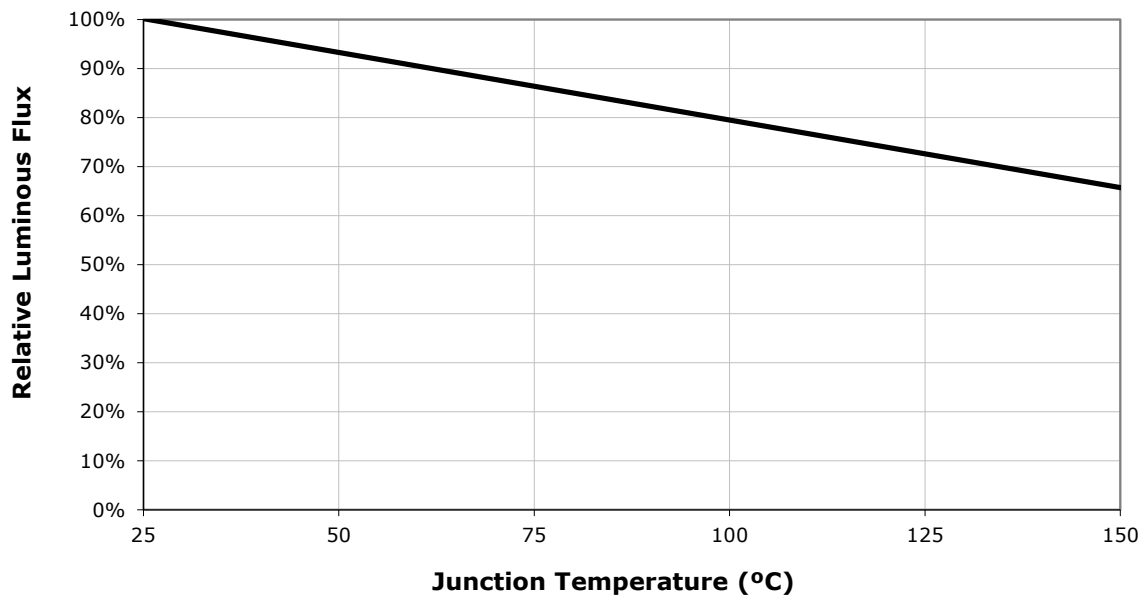
Notes:

- Cree maintains a tolerance of $\pm 7\%$ on flux and power measurements, ± 0.005 on chromaticity (CCx, CCy) measurements and ± 2 on CRI measurements.
- Typical CRI for Cool White (4300 K – 8300 K CCT) is 75.
- Typical CRI for Warm White (2600 K – 4300 K CCT) is 80.

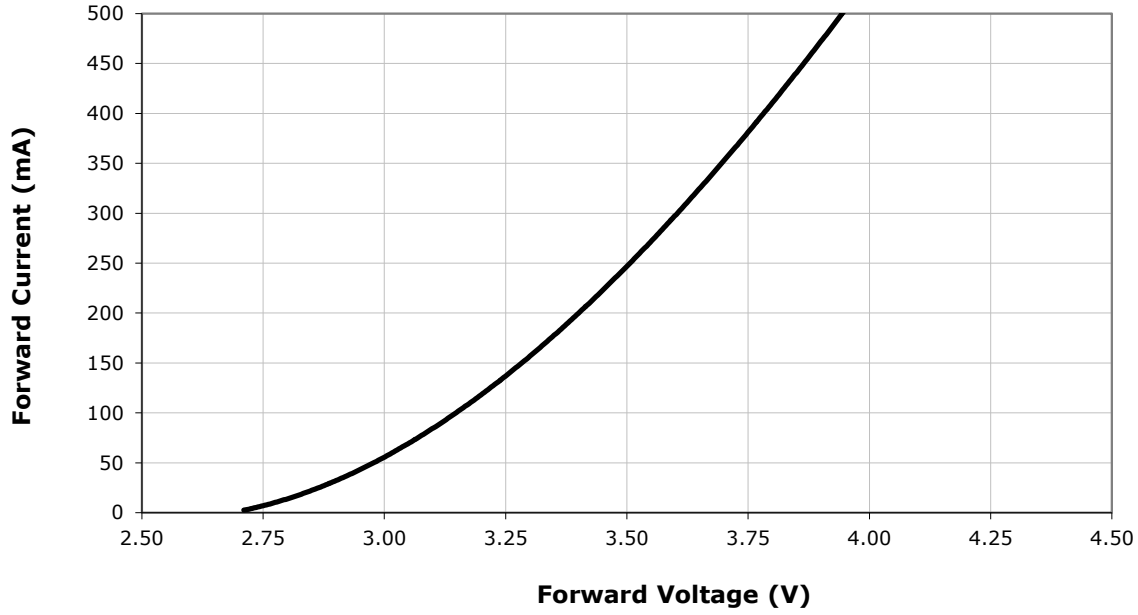
RELATIVE SPECTRAL POWER DISTRIBUTION



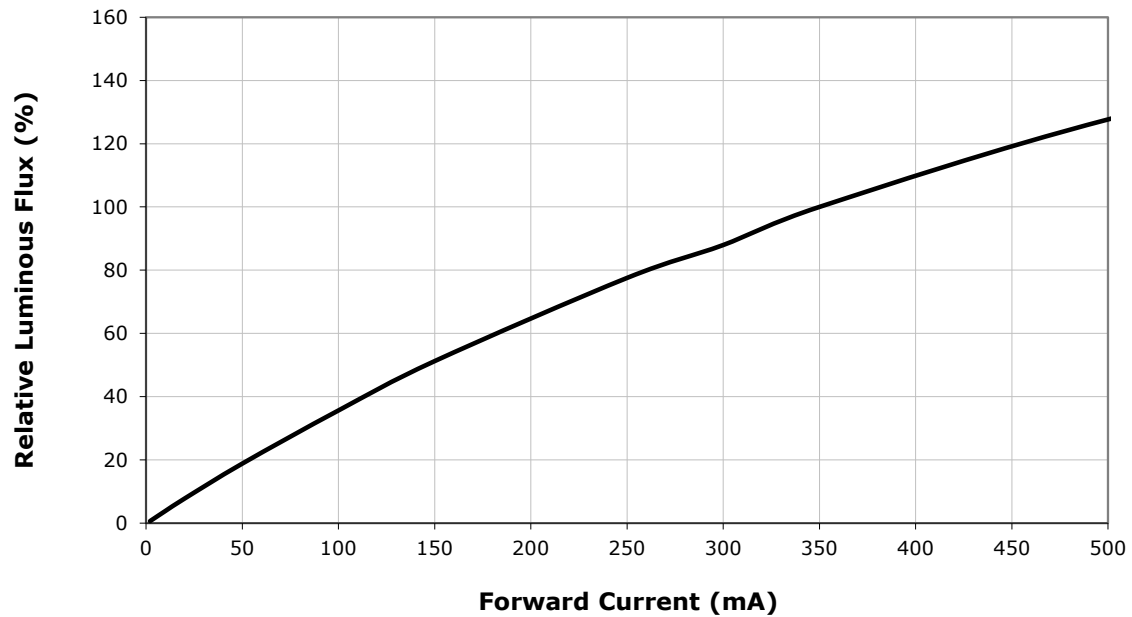
RELATIVE FLUX VS. JUNCTION TEMPERATURE ($I_F = 350$ mA)



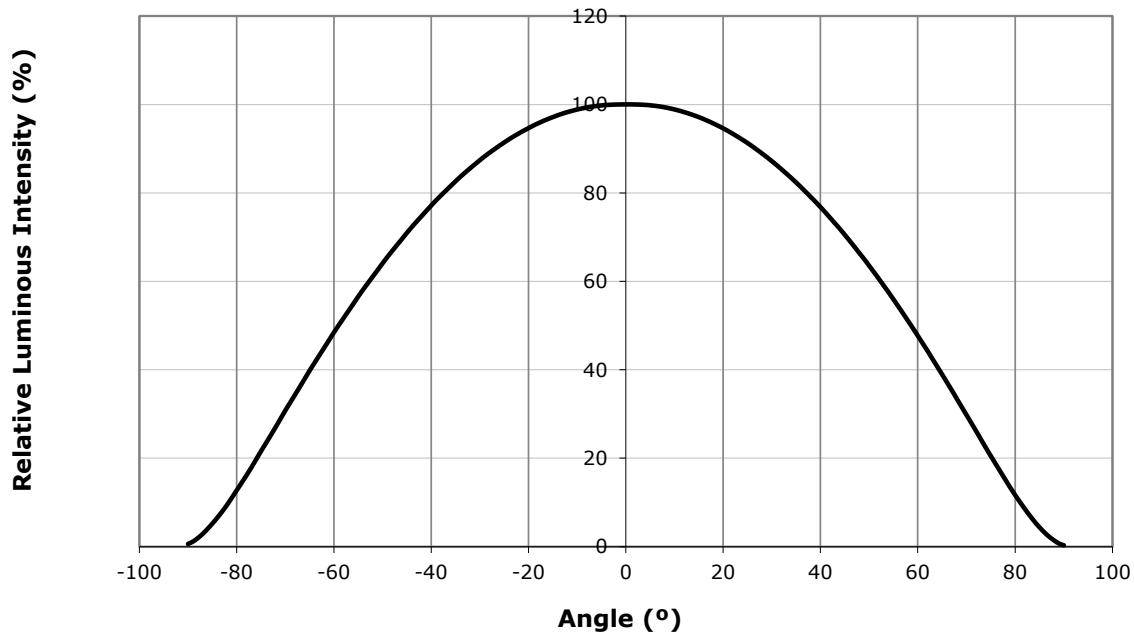
ELECTRICAL CHARACTERISTICS ($T_j = 25\text{ }^\circ\text{C}$)



RELATIVE FLUX VS. CURRENT ($T_j = 25\text{ }^\circ\text{C}$)

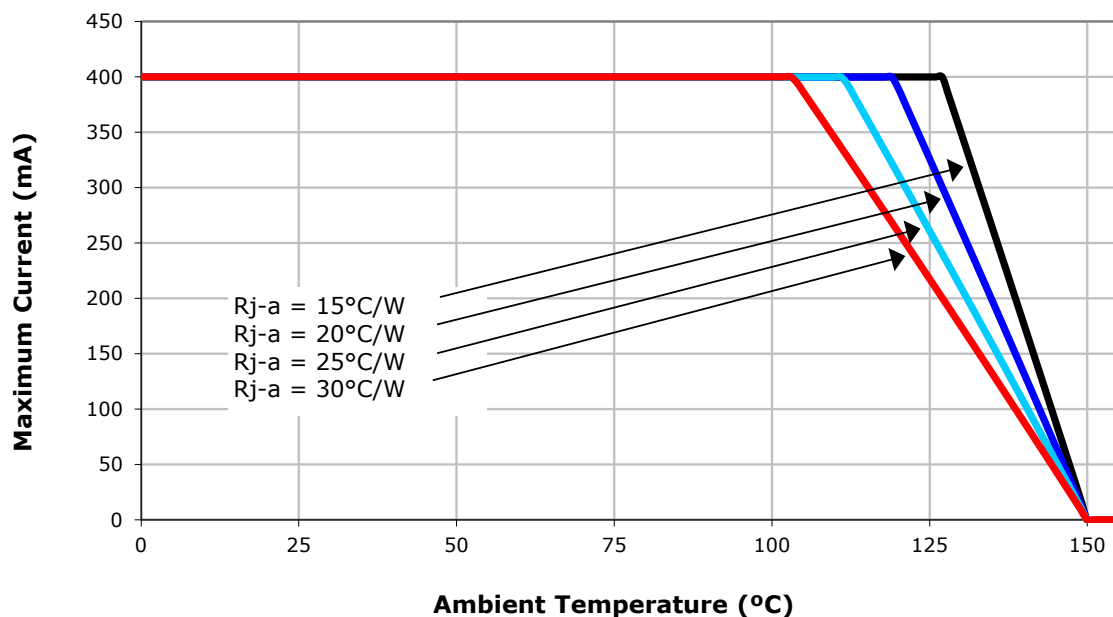


TYPICAL SPATIAL DISTRIBUTION



THERMAL DESIGN

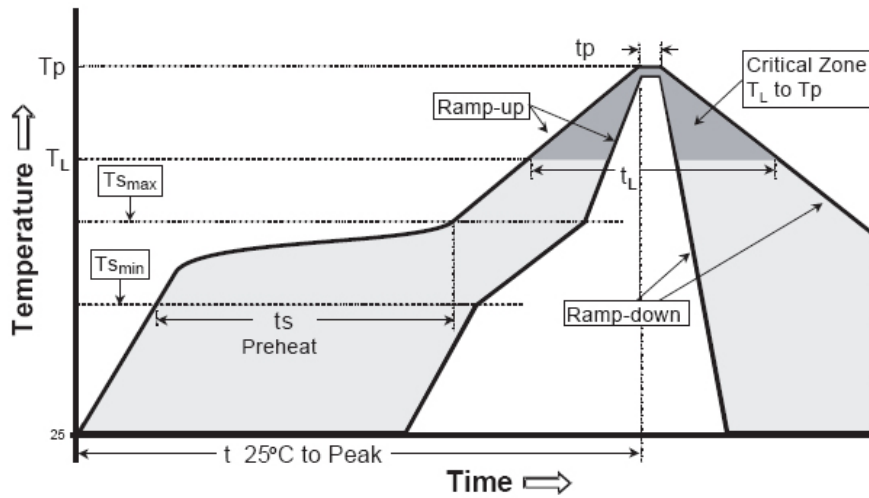
The maximum forward current is determined by the thermal resistance between the LED junction and ambient. It is crucial for the end product to be designed in a manner that minimizes the thermal resistance from the solder point to ambient in order to optimize lamp life and optical characteristics.



REFLOW SOLDERING CHARACTERISTICS

In testing, Cree has found XLamp XM-L LEDs to be compatible with JEDEC J-STD-020C, using the parameters listed below. As a general guideline, Cree recommends that users follow the recommended soldering profile provided by the manufacturer of solder paste used.

Note that this general guideline may not apply to all PCB designs and configurations of reflow soldering equipment.



IPC/JEDEC J-STD-020C

| Profile Feature | Lead-Based Solder | Lead-Free Solder |
|---|-------------------|------------------|
| Average Ramp-Up Rate ($T_{s_{max}}$ to T_p) | 3 °C/second max. | 3 °C/second max. |
| Preheat: Temperature Min ($T_{s_{min}}$) | 100 °C | 150 °C |
| Preheat: Temperature Max ($T_{s_{max}}$) | 150 °C | 200 °C |
| Preheat: Time ($t_{s_{min}}$ to $t_{s_{max}}$) | 60-120 seconds | 60-180 seconds |
| Time Maintained Above: Temperature (T_L) | 183 °C | 217 °C |
| Time Maintained Above: Time (t_L) | 60-150 seconds | 60-150 seconds |
| Peak/Classification Temperature (T_p) | 215 °C | 260 °C |
| Time Within 5 °C of Actual Peak Temperature (t_p) | 10-30 seconds | 20-40 seconds |
| Ramp-Down Rate | 6 °C/second max. | 6 °C/second max. |
| Time 25 °C to Peak Temperature | 6 minutes max. | 8 minutes max. |

Note: All temperatures refer to the topline of the package, measured on the package body surface.

NOTES

Lumen Maintenance Projections

Cree now uses standardized IES LM-80-08 and TM-21-11 methods for collecting long-term data and extrapolating LED lumen maintenance. For information on the specific LM-80 data sets available for this LED, refer to the public LM-80 results document at www.cree.com/xlamp_app_notes/LM80_results.

Please consult the XLamp Long-Term Lumen Maintenance application note at www.cree.com/xlamp_app_notes/lumen_maintenance for more details on Cree’s lumen maintenance testing and forecasting. Please read the XLamp Thermal Management application note at www.cree.com/xlamp_app_notes/thermal_management for details on how thermal design, ambient temperature, and drive current affect the LED junction temperature.

Moisture Sensitivity

XLamp MX-3 LEDs are shipped in sealed, moisture-barrier bags (MBB) designed for long shelf life. If XLamp MX-3 LEDs are exposed to moist environments after opening the MBB packaging but before soldering, damage to the LED may occur during the soldering operation. The derating table at right defines the maximum exposure time (in days) for an XLamp MX-3 LED in the listed humidity and temperature conditions.

| Temp. | Maximum Percent Relative Humidity | | | | | | |
|-------|-----------------------------------|-----|-----|-----|-----|-----|-----|
| | 30% | 40% | 50% | 60% | 70% | 80% | 90% |
| 35 °C | - | - | - | 17 | 1 | .5 | .5 |
| 30 °C | - | - | - | 28 | 1 | 1 | 1 |
| 25 °C | - | - | - | - | 2 | 1 | 1 |
| 20 °C | - | - | - | - | 2 | 1 | 1 |

LEDs with exposure time longer than the time specified below must be baked according to the baking conditions listed below.

Cree recommends keeping XLamp LEDs in their sealed moisture-barrier packaging until immediately prior to use. Cree also recommends returning any unused LEDs to the resealable moisture-barrier bag and closing the bag immediately after use.

Baking Conditions

It is not necessary to bake all XLamp MX-3 LEDs. Only the LEDs that meet all of the following criteria must be baked:

1. LEDs that have been removed from the original MBB packaging.
2. LEDs that have been exposed to a humid environment longer than listed in the Moisture Sensitivity section above.
3. LEDs that have not been soldered.

LEDs should be baked at 70 °C for 24 hours. LEDs may be baked on the original reels. Remove LEDs from MBB packaging before baking. Do not bake parts at temperatures higher than 70 °C. This baking operation resets the exposure time as defined in the Moisture Sensitivity section above.

Storage Conditions

XLamp MX-3 LEDs that have been removed from the original MBB packaging but not soldered should be stored in one of the following ways:

- Store the parts in a rigid metal container with a tight-fitting lid. Verify that the storage temperature is $<30^{\circ}\text{C}$, and place fresh desiccant and an RH indicator in the container to verify that the RH is no greater than 60%.
- Store the parts in a dry, nitrogen-purged cabinet or container that actively maintains the temperature at $<30^{\circ}$ and the RH at no greater than 60%.
- For short-term store only: LEDs can be resealed in the original MBB bag soon after opening. Fresh desiccant may be needed. Use the included humidity indicator card to verify $<60\%$ RH.

If an environment of $<60\%$ RH is not available for storage, XLamp MX-3 LEDs should be baked (described above) before reflow soldering.

RoHS Compliance

The levels of RoHS restricted materials in this product are below the maximum concentration values (also referred to as the threshold limits) permitted for such substances, or are used in an exempted application, in accordance with EU Directive 2011/65/EC (RoHS2), as implemented January 2, 2013. RoHS Declarations for this product can be obtained from your Cree representative or from the Product Documentation sections of www.cree.com.

REACH Compliance

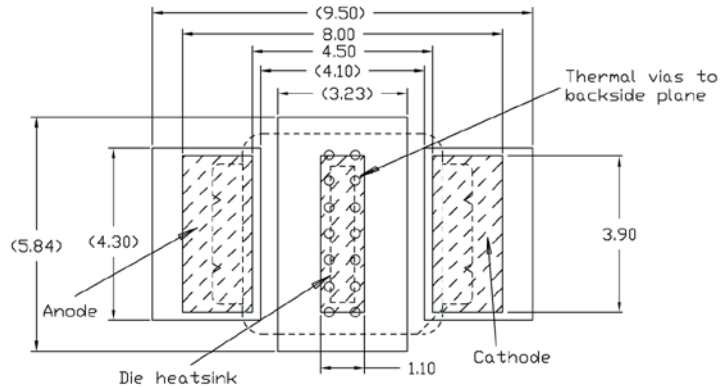
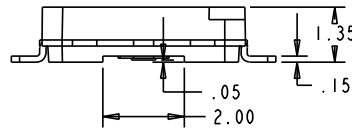
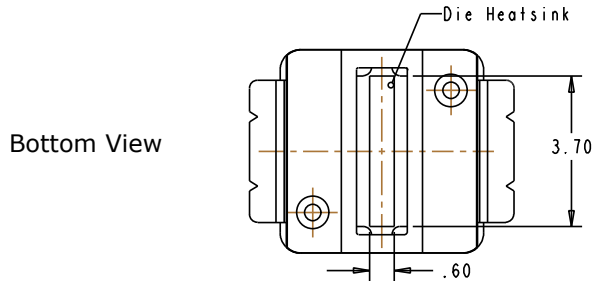
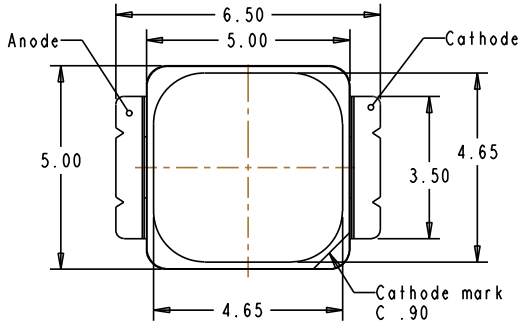
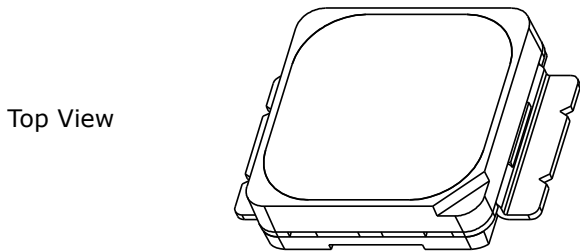
REACH substances of high concern (SVHCs) information is available for this product. Since the European Chemical Agency (ECHA) has published notice of their intent to frequently revise the SVHC listing for the foreseeable future, please contact a Cree representative to insure you get the most up-to-date REACH SVHC Declaration. REACH banned substance information (REACH Article 67) is also available upon request.

Vision Advisory Claim

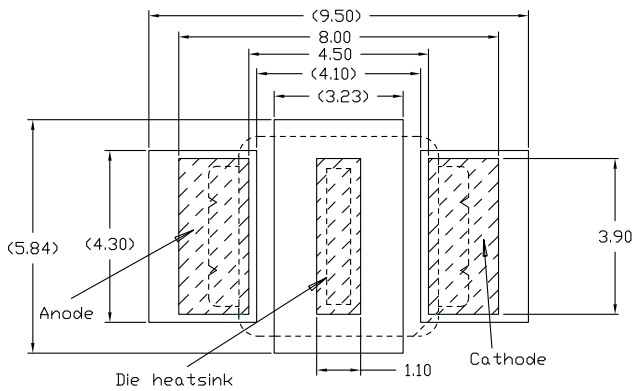
WARNING: Do not look at exposed lamp in operation. Eye injury can result. See LED Eye Safety at www.cree.com/xlamp_app_notes/led_eye_safety.

MECHANICAL DIMENSIONS

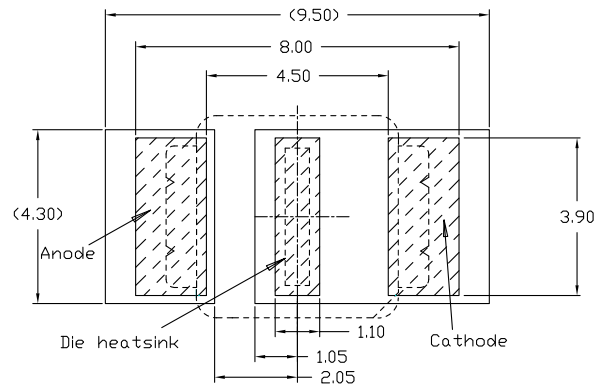
All measurements are $\pm .13$ mm unless otherwise indicated.



Recommended FR4 Solder Pad



Recommended MCPCB Solder Pad

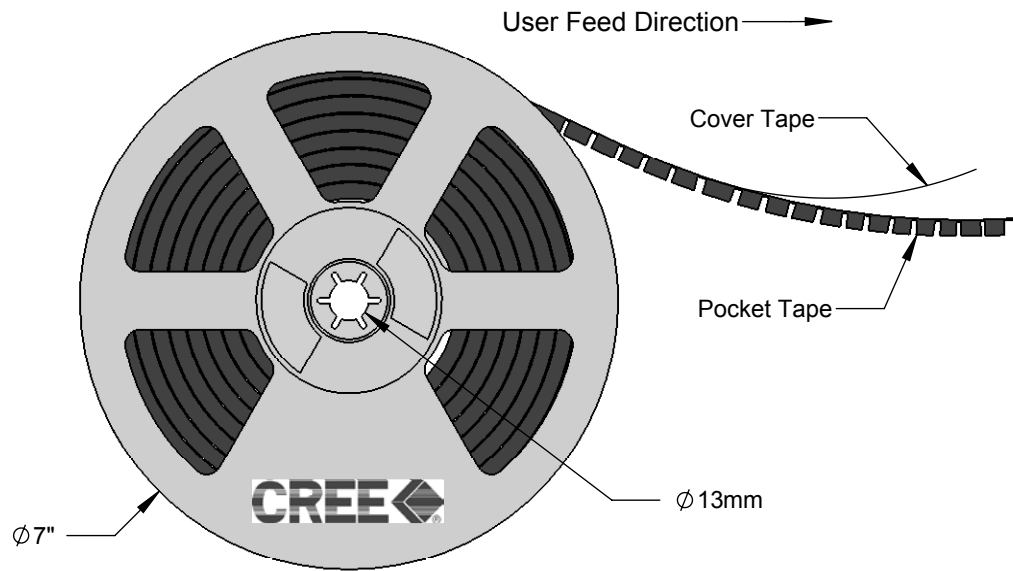


Alternative Solder Pad

TAPE AND REEL

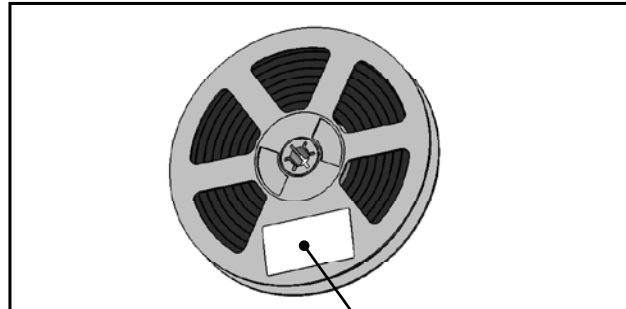
All Cree carrier tapes conform to EIA-481D, Automated Component Handling Systems Standard.

All dimensions in mm.



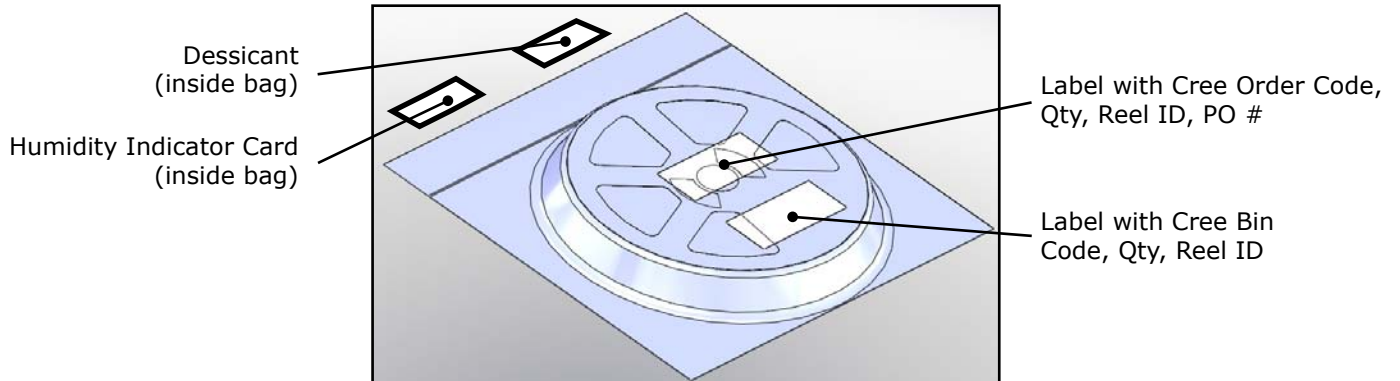
PACKAGING

Unpackaged Reel



Label with Cree Bin Code, Qty, Reel ID

Packaged Reel



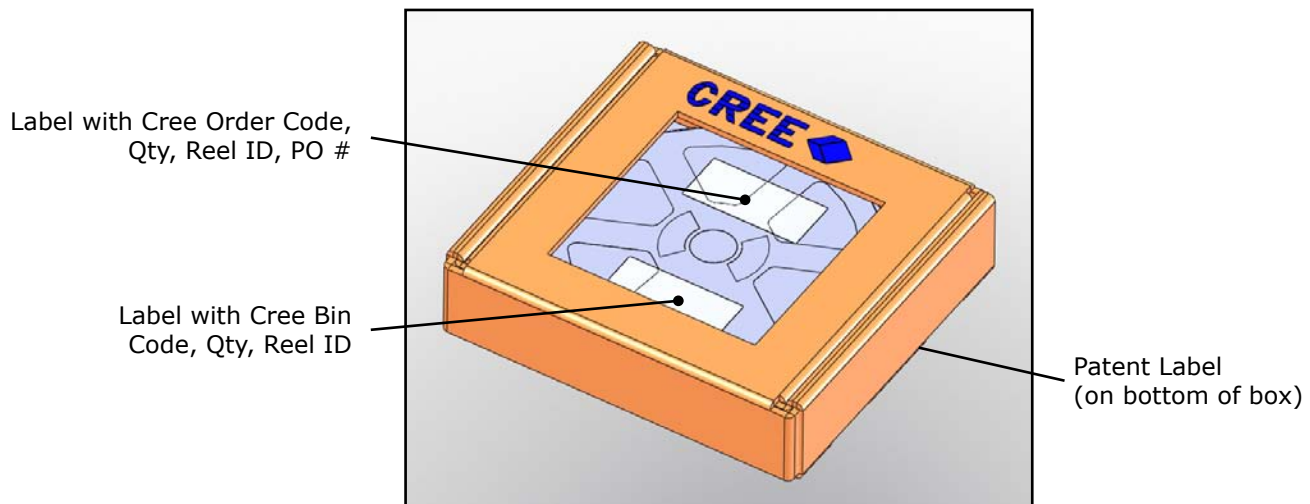
Desiccant (inside bag)

Humidity Indicator Card (inside bag)

Label with Cree Order Code, Qty, Reel ID, PO #

Label with Cree Bin Code, Qty, Reel ID

Boxed Reel



Label with Cree Order Code, Qty, Reel ID, PO #

Label with Cree Bin Code, Qty, Reel ID

Patent Label (on bottom of box)

Mouser Electronics

Authorized Distributor

Click to View Pricing, Inventory, Delivery & Lifecycle Information:

Cree, Inc.:

[MX3AWT-A1-0000-0007A9](#) [MX3AWT-A1-0000-0007AA](#) [MX3AWT-A1-0000-0007B8](#) [MX3AWT-A1-0000-0007B9](#)
[MX3AWT-A1-0000-0007E8](#) [MX3AWT-A1-0000-0008A5](#) [MX3AWT-A1-0000-0008A6](#) [MX3AWT-A1-0000-0008A7](#)
[MX3AWT-A1-0000-0008A8](#) [MX3AWT-A1-0000-0008A9](#) [MX3AWT-A1-0000-0008AA](#) [MX3AWT-A1-0000-0008B4](#)
[MX3AWT-A1-0000-0008B5](#) [MX3AWT-A1-0000-0008B6](#) [MX3AWT-A1-0000-0008B7](#) [MX3AWT-A1-0000-0008B8](#)
[MX3AWT-A1-0000-0008B9](#) [MX3AWT-A1-0000-0008E6](#) [MX3AWT-A1-0000-0008E7](#) [MX3AWT-A1-0000-0008E8](#)
[MX3AWT-A1-0000-0008F6](#) [MX3AWT-A1-0000-0008F7](#) [MX3AWT-A1-0000-0008F8](#) [MX3AWT-A1-0000-0009A5](#)
[MX3AWT-A1-0000-0009A6](#) [MX3AWT-A1-0000-0009A7](#) [MX3AWT-A1-0000-0009A8](#) [MX3AWT-A1-0000-0009A9](#)
[MX3AWT-A1-0000-0009AA](#) [MX3AWT-A1-0000-0009B4](#) [MX3AWT-A1-0000-0009B5](#) [MX3AWT-A1-0000-0009B6](#)
[MX3AWT-A1-0000-0009B7](#) [MX3AWT-A1-0000-0009B8](#) [MX3AWT-A1-0000-0009B9](#) [MX3AWT-A1-0000-0009E6](#)
[MX3AWT-A1-0000-0009E7](#) [MX3AWT-A1-0000-0009E8](#) [MX3AWT-A1-0000-0009F6](#) [MX3AWT-A1-0000-0009F7](#)
[MX3AWT-A1-0000-0009F8](#) [MX3AWT-A1-0000-000AA1](#) [MX3AWT-A1-0000-000AA2](#) [MX3AWT-A1-0000-000AA3](#)
[MX3AWT-A1-0000-000AA4](#) [MX3AWT-A1-0000-000AA5](#) [MX3AWT-A1-0000-000AA6](#) [MX3AWT-A1-0000-000AA7](#)
[MX3AWT-A1-0000-000AA8](#) [MX3AWT-A1-0000-000AA9](#) [MX3AWT-A1-0000-000AAA](#) [MX3AWT-A1-0000-000AB1](#)
[MX3AWT-A1-0000-000AB2](#) [MX3AWT-A1-0000-000AB3](#) [MX3AWT-A1-0000-000AB4](#) [MX3AWT-A1-0000-000AB5](#)
[MX3AWT-A1-0000-000AB6](#) [MX3AWT-A1-0000-000AB7](#) [MX3AWT-A1-0000-000AB8](#) [MX3AWT-A1-0000-000AB9](#)
[MX3AWT-A1-0000-000ADZ](#) [MX3AWT-A1-0000-000AE3](#) [MX3AWT-A1-0000-000AE4](#) [MX3AWT-A1-0000-000AE5](#)
[MX3AWT-A1-0000-000AE6](#) [MX3AWT-A1-0000-000AE7](#) [MX3AWT-A1-0000-000AE8](#) [MX3AWT-A1-0000-000AF4](#)
[MX3AWT-A1-0000-000AF5](#) [MX3AWT-A1-0000-000AF6](#) [MX3AWT-A1-0000-000AF7](#) [MX3AWT-A1-0000-000AF8](#)
[MX3AWT-A1-0000-000B50](#) [MX3AWT-A1-0000-000B51](#) [MX3AWT-A1-0000-000B53](#) [MX3AWT-A1-0000-000BA1](#)
[MX3AWT-A1-0000-000BA2](#) [MX3AWT-A1-0000-000BA3](#) [MX3AWT-A1-0000-000BA4](#) [MX3AWT-A1-0000-000BA5](#)
[MX3AWT-A1-0000-000BA6](#) [MX3AWT-A1-0000-000BA7](#) [MX3AWT-A1-0000-000BA8](#) [MX3AWT-A1-0000-000BB1](#)
[MX3AWT-A1-0000-000BB2](#) [MX3AWT-A1-0000-000BB3](#) [MX3AWT-A1-0000-000BB4](#) [MX3AWT-A1-0000-000BB5](#)
[MX3AWT-A1-0000-000BB6](#) [MX3AWT-A1-0000-000BB7](#) [MX3AWT-A1-0000-000BDZ](#) [MX3AWT-A1-0000-000BE3](#)
[MX3AWT-A1-0000-000BE4](#) [MX3AWT-A1-0000-000BE5](#) [MX3AWT-A1-0000-000BE6](#) [MX3AWT-A1-0000-000BE7](#)
[MX3AWT-A1-0000-000BF4](#) [MX3AWT-A1-0000-000BF5](#) [MX3AWT-A1-0000-000BF6](#) [MX3AWT-A1-0000-000BF7](#)