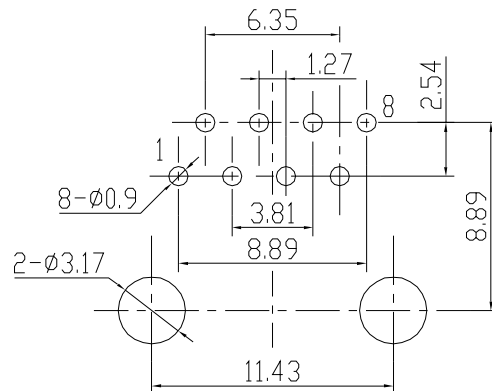
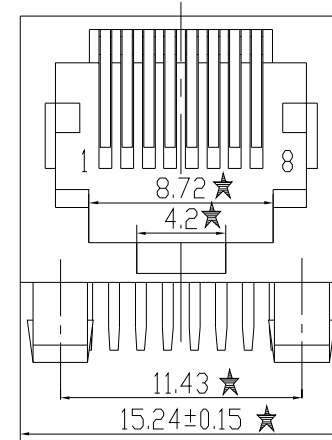
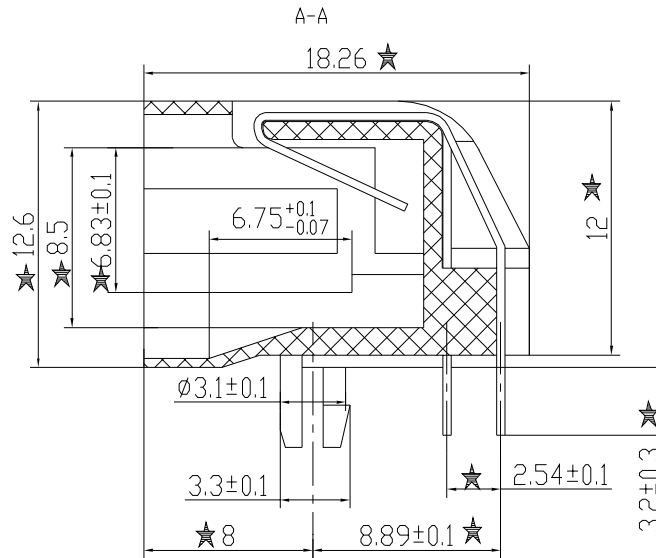
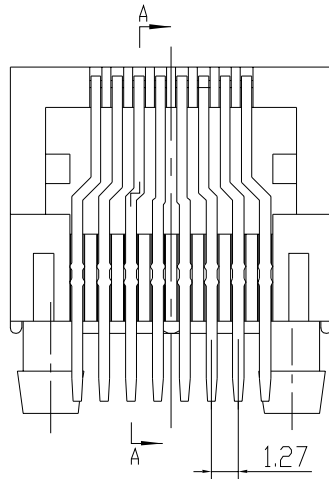


YH-57-24

REV.	ECN NO.	DATE



PCB LAYOUT

NOTE:

1. ELECTRICAL:
 - 1.1 VOLTAGE RATING: 125 VAC RMS;
 - 1.2 CURRENT RATING: 1.5 AMP;
 - 1.3 CONTACT RESISTANCE: 20 MILLIOHMS Max;
 - 1.4 INSULATION RESISTANCE: 1000 MEGOHMS Min @500 VDC;
 - 1.5 DIELECTRIC STRENGTH: 1000 VAC RMS 50 or 60Hz 1 Minute;
 2. MECHANICAL:
 - 2.1 HOUSING: PBT, UL94V-0, BLACK;
 - 2.2 TERMINALS: 0.46x0.36 PHOSPHOR BRONZE PLATED 3u" Au;
 - 2.3 DURABILITY: 750 CYCLES Min.
- 3.★Critical dimension.

RoHS Compliant

意华通讯连接器有限公司 YIHUA COMMUNICATED CONNECTOR CO.,LTD.	TOLERANCES		MATERIAL: SEE NOTE	Designed:	NAME: MODULAR JACK 5722 8P8C NO EAR	
	0~15±0.15, 15~30±0.2, 30~±0.25 ANGLE±1°.		FINISH: SEE NOTE	Checked:	DWG NO.: C07081108	REV
FIRST ANGLE PROJECTION	SCALE 3:1	UNIT mm	CUSTOMER: MODEL NO.:	SHEET 1 OF 1	Approved:	PART NO.: B572N-8803-M006